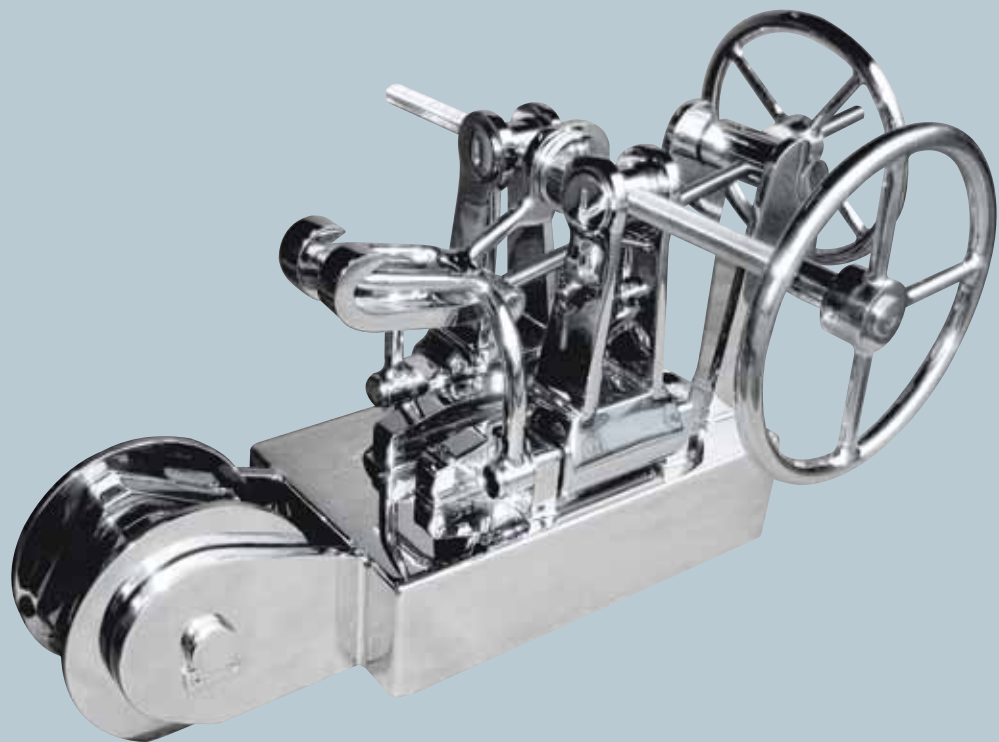


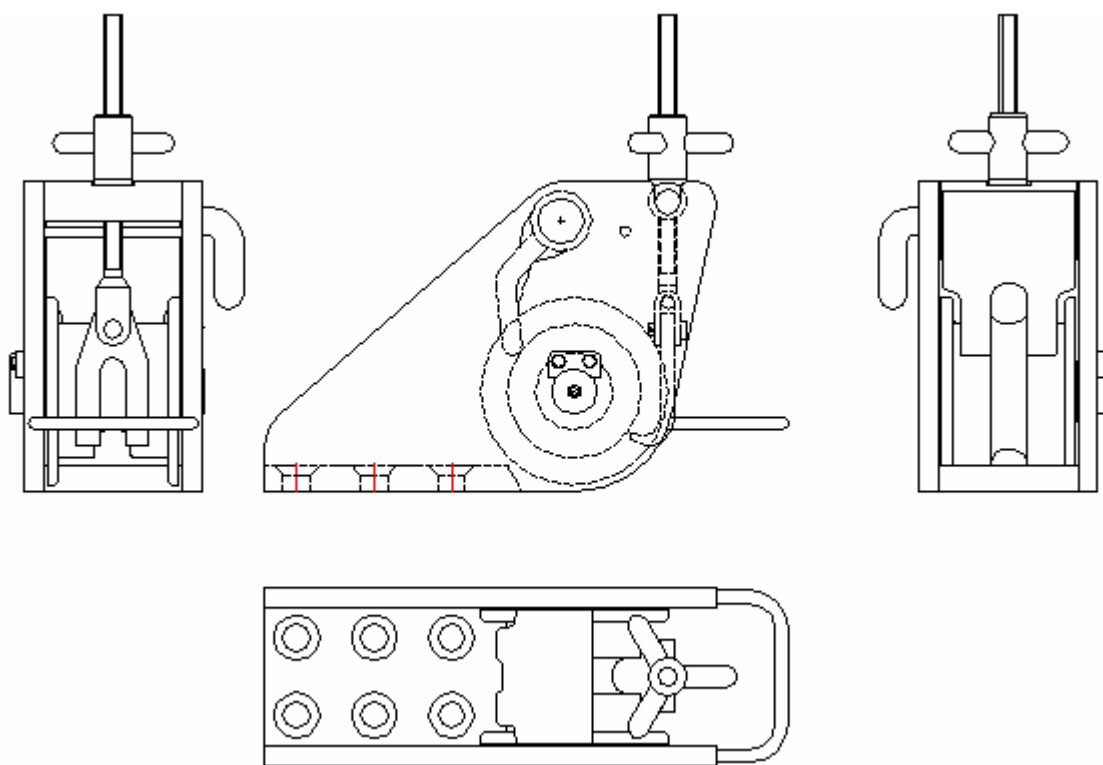
Chain stoppers

DATA chain stoppers and compressors protect windlasses from unnecessary load and strain. When the anchor is stowed, devil's claw helps to decrease the tension on the chain with the help of brake wheel. It also acts to guard the moving chain and provides an elegant look in keeping with the windlass. Chain stoppers / compressors integrated with devil's claw suit to chains beginning from 14 mm. and are manufactured from mirror polished AISI 316 stainless steel. DATA recommends to use these equipments for additional safety.



CHAIN STOPPER / COMPRESSOR
EXPORT PRICE LIST FOR THE YEAR 2008

1- AISI 316 CHAIN STOPPERS (HIGH PROFILE) :



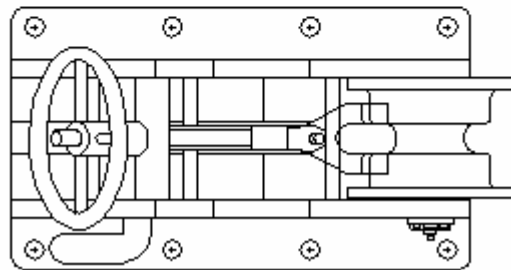
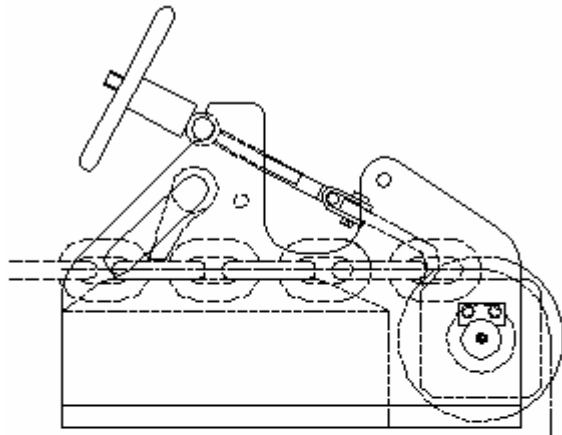
TYPE	SUITABLE CHAIN Ø (mm.)	PRICE
DZR 12-14 HP/1400	12-13-14 mm. DIN 766 Calibrated 12.5 mm. Stud-link	4.980.- €
DZR 14-18 HP/2200	14-16-18 mm. DIN 766 Calibrated 14-16 mm. Stud-link	5.150.- €
DZR 17-19 HP/3300	18-20-23 mm. DIN 766 Calibrated 17.5-19-20.5 mm. Stud-link	5.490.- €

** Technical drawings will be submitted after your request.*

HYDRO SYSTEMS snc

Industrial & Marine Department

2- AISI 316 CHAIN STOPPERS :



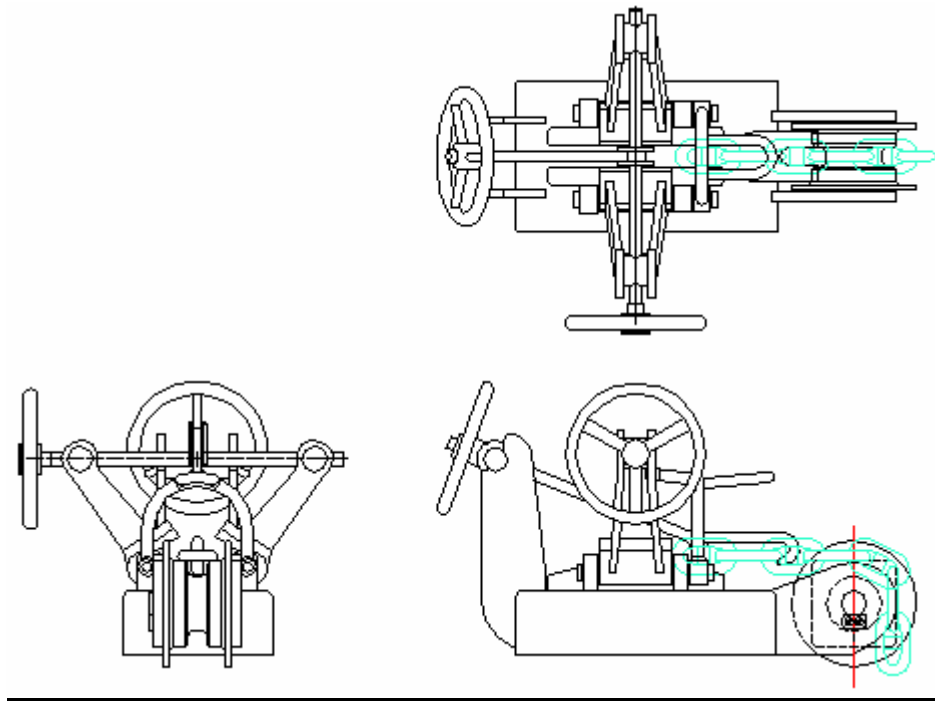
TYPE	SUITABLE CHAIN Ø (mm.)	PRICE
DZR 12-14 /1400	12-13-14 mm. DIN 766 Calibrated 12.5 mm. Stud-link	5.050.- €
DZR 14-18 /2200	14-16-18 mm. DIN 766 Calibrated 14-16 mm. Stud-link	5.250.- €
DZR 17-19 /3300	18-20-23 mm. DIN 766 Calibrated 17.5-19-20.5 mm. Stud-link	5.880.- €
DZR 14-18WH /1702	14-16-18 mm. DIN 766 Calibrated 14-16 mm. Stud-link	5.350.- €
DZR 17-19WH /3302	18-20-23 mm. DIN 766 Calibrated 17.5-19-20.5 mm. Stud-link	6.080.- €

* *Technical drawings will be submitted after your request.*

HYDRO SYSTEMS snc

Industrial & Marine Department

3- AISI 316 CHAIN COMPRESSORS :



TYPE	SUITABLE CHAIN Ø (mm.)	PRICE
DCC 17-22L /3300	18-20-23 mm. DIN 766 Calibrated 17.5-19-20.5-22 mm. Stud-link	11.230.- €
DCC 19-24L /5000	23-26 mm. DIN 766 Calibrated 19-20.5-22-24 mm. Stud-link	12.550.- €
DCC 26-30L /7000	26-28-30 mm. Stud-link	18.800.- €

* *Technical drawings will be submitted after your request.*